

LT-147

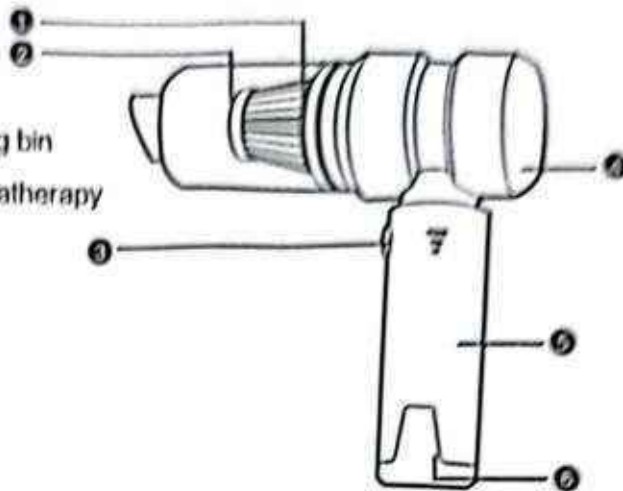
3 IN 1
VACUUM CLEANER



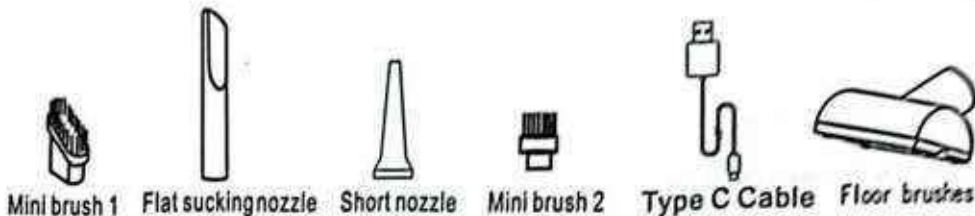
CAR VACUUM CLEANER

Product introduction

- ① HTPA
- ② Dust collecting bin
- ③ Power switch
- ④ Turn on aromatherapy
- ⑤ HANDLE
- ⑥ USB charger



parts



Parameters

NAME	Voltage	gear	Power	G.W	Dust cup capacity
vacuum cleaner	7.4 V	3 Gears	110W	about 450g	0.4L

Thank you for purchasing our products! Please read this manual carefully before using it for the first time. Guide you to use correctly and remind you of the relevant precautions

How to switch it on/off or change speeds?

[Attention: Please make sure that there is sufficient power before using.]

1. Long press for 3s to start the 1st gear.
2. Click once to switch to the 2nd gear.
3. Click twice to switch to the 3rd gear.
3. Click again to turn it off.

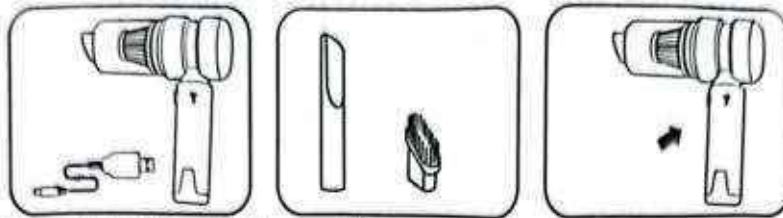
USAGE

1. Connect the charger to fully charge the battery (when charging: the red light of the charging line is on; when the battery is fully charged, the indicator light of the charging line is green)

2. Connect the corresponding accessories according to the application situation (accessories installation and use)

3. Turn on the power switch of the vacuum cleaner and start working

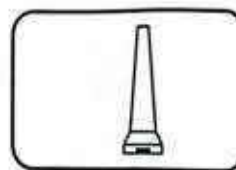
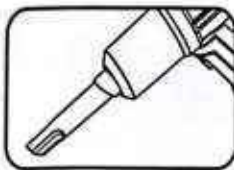




(Power adapter to be provided by yourself)

Installation and use of accessories

1. Suction nozzle: suitable for door, seat, cabinet corner, drawer and ashtray
2. Brush: it has double functions of suction and wiping. It is suitable for dust cleaning on the surface of cushion, pad, keyboard and air conditioner outlet
3. blowing port: suitable for the inflation of small equipment such as life buoys and life jackets; pumping port: suitable for the pumping of household storage bags.



Disassembly and cleaning

1. Rotate the dust bin anticlockwise to remove the dust bin from the fuselage.
2. Take out the filter screen from the dust bin and pour the garbage into the garbage can
3. If necessary, the dust cup can be cleaned with a slightly wet rag or disposable paper towel, and the filter screen can be washed with water. After washing, it must be completely dried and reused.
4. To re-install the dust bin, put the HEPA filter screen into the dust bin, and rotate and tighten it in the opposite direction according to step 1.

Use method of Wireless switch

Dust in the car and home.

- 1, ensure that the vacuum cleaner has electricity;
- 2, open the vacuum cleaner switch "ON" key, you can start to work;
- 3, according to the need to clean the dust on different occasions, the replacement of different suction mouth, the better effect;
- 4, there is a filter cover fixed switch in front of the power switch, and the front cover can be disassembled to clean the filter net;
5. When rechargeable battery is charged, the USB lamp shows red for normal charge and green is full;
- 6, the charging time is about three to four hours, full of about 20 minutes of sustainable use.
- 7, if the motor appears fast and slow alarm, this is because the battery is not charged in time to charge.



Warning

1. Please observe whether there is sufficient power when using the wireless model;
2. Please start the car first when using the wireless model;
3. The cable plug of this product is the cigarette lighter plug by default. If you need to use it at home, please purchase converter separately;
4. It is strictly prohibited to use this product at high temperature and high pressure (- 20 °C ~ + 50 °C)
5. Do not let children play with this product alone, so as to avoid danger.
6. When absorbing water, do not inhale too much.
7. Do not absorb corrosive objects or liquids;
8. When not in use, please put it in the environment of - 20 °C ~ + 50 °C;

Certificate

Grade: qualified

Place of Origin: Zhejiang

Examination clerk: NO.005

.....

Warranty card

Dear customer:

Thank you for your patronage, and from now on, you will get the after-sales service provided by our company.

NAME		TEL	
ADDRESS			
MODEL		Date of purchase	
Warranty description:			

This product is fully guaranteed for the users according to the national three package policy. The warranty period is one year (calculated from the day of purchase). During the warranty period, the company will be responsible for free maintenance due to the failure of the product itself due to the quality of the product itself.

